



### TC4032

- Low noise performance
- High sensitivity
- Wide frequency range
- Flat frequency response
- Long term stability
- Individually calibrated

The TC4032 general purpose hydrophone offers a high sensitivity, low noise and a flat frequency response over a wide frequency range.

The high sensitivity and acoustic characteristics makes TC4032 capable of producing absolute sound measurements and detecting even very weak signals at levels below "Sea State 0".

The TC4032 incorporates an electrostatically shielded highly sensitive piezoelectric element connected to an integral low-noise 10dB preamplifier. The TC4032 preamplifier is capable of driving long cables of more than 1.000 meters, and the preamplifier features an insert calibration facility.

Per default the amplifier is provided with differential output. The differential output is an advantage where long cables are used in an electrically noisy environment. For use in single ended mode: Use positive output pin together with GND.

Versions with different filter characteristics are available: 4032-1 5Hz to 120 kHz, 4032-2 1Hz to 120 kHz and 4032-5 100Hz to 120 kHz.

#### TECHNICAL SPECIFICATIONS

Usable Frequency range:	5Hz to 120kHz
Linear Frequency range:	15Hz to 40kHz $\pm 2$ dB 10Hz to 80kHz $\pm 2.5$ dB
Receiving Sensitivity:	-170dB re 1V/mPa (-164dB with differential output)
Horizontal directivity:	Omnidirectional $\pm 2$ dB at 100kHz
Vertical directivity:	270° $\pm 2$ dB at 15kHz
Operating depth:	600m
Survival depth:	700m
Operating temperature range:	-2°C to +55°C
Storage temperature range:	-30°C to +70°C
Weight in Air:	720g without cable
Preamplifier gain:	10dB
Max. output voltage:	3.5Vrms at 12VDC
Supply voltage:	12 to 24VDC
High pass filter:	7Hz -3dB
Quiescent supply current:	$\leq 19$ mA at 12VDC $\leq 22$ mA at 24VDC
Encapsulating material:	Special formulated NBR
Housing material:	Alu Bronze AlCu10Ni5Fe4



### NBR means Nitrile Rubber

The NBR rubber is first of all resistant to sea and fresh water but also resistant to oil. It is limited resistant to petrol, limited resistant to most acids and will be destroyed by base, strong acids, halogenated hydrocarbons (carbon tetrachloride, trichloroethylene), nitro hydrocarbons (nitrobenzene, aniline), phosphate ester hydraulic fluids, Ketones (MEK, acetone), Ozone and automotive brake fluid.

### Documentation:

Individually calibration curves: 250 kHz

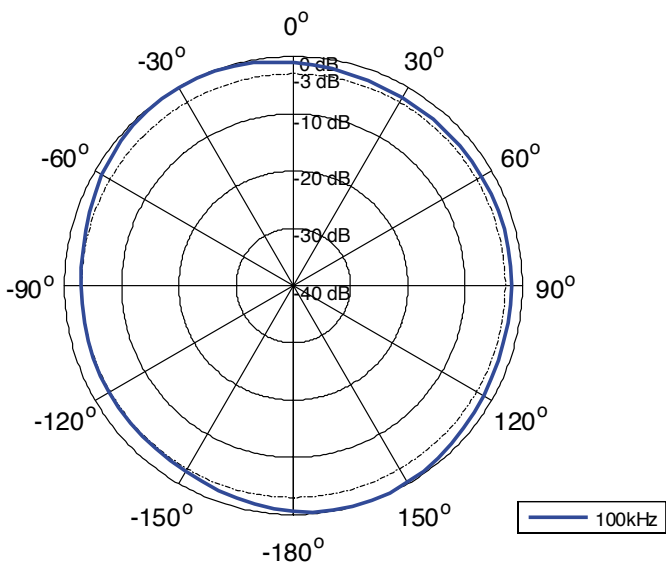
Sensitivity at ref.: frequencies: 250 kHz

Receiving sensitivity: At 5 kHz to 100 kHz

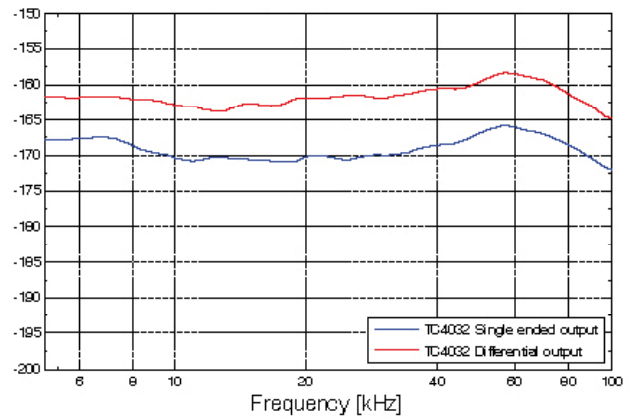
Vertical directivity: At 15 kHz

Horizontal directivity: At 100 kHz

Horizontal directivity pattern

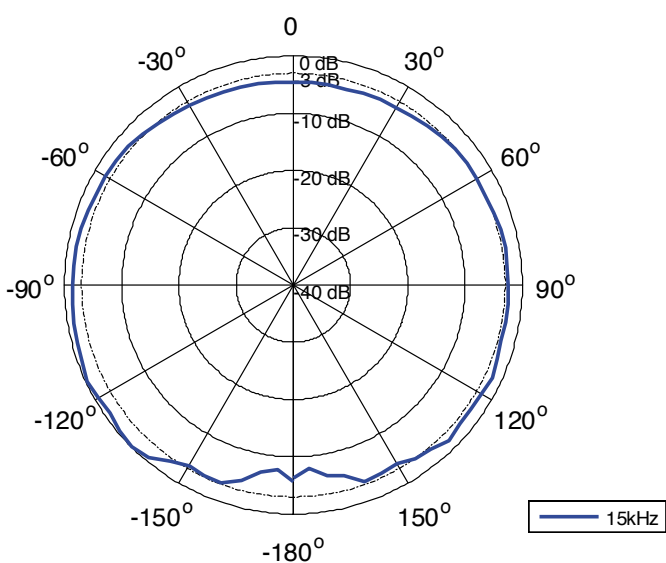


Receiving Sensitivity [dB re 1V/ $\mu$ Pa @ 1m]

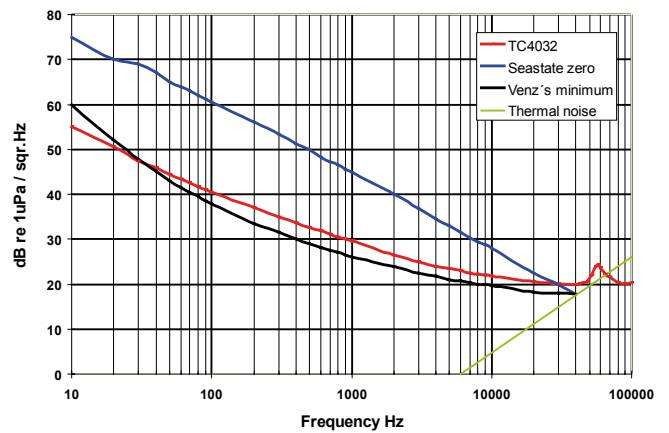


The OCR curve shown above is for single ended output

Vertical directivity pattern

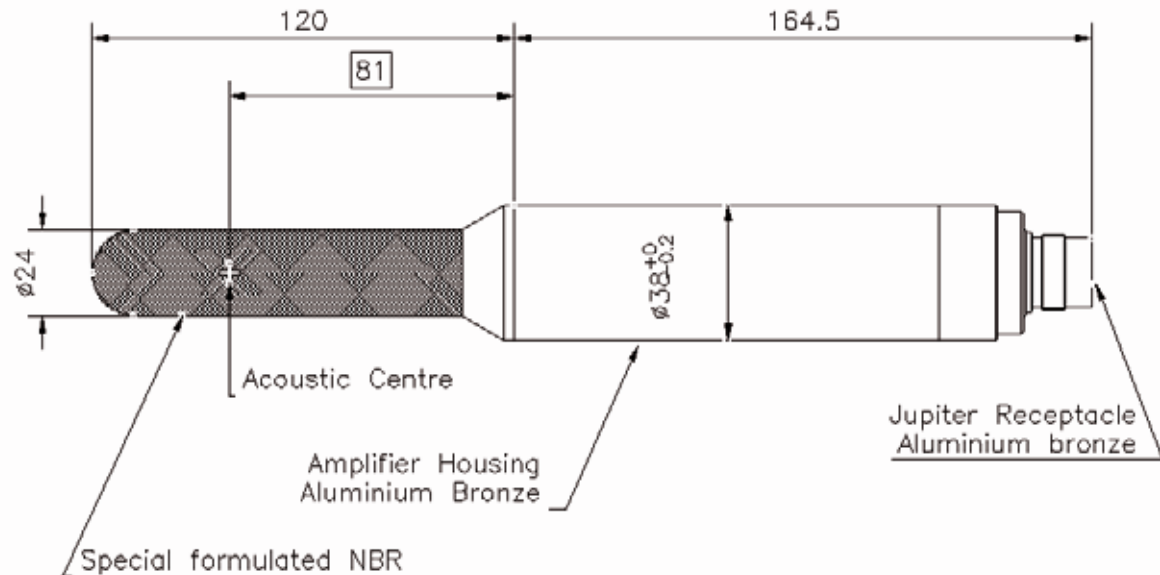


Typical equivalent noise pressure curve



Valid for all versions of TC4032

### Outline Dimensions



Per default the amplifier is provided with differential output. The differential output is an advantage where long cables are used in an electrically noisy environment.

For information on export control regulations on this product, please refer to [www.reson.com](http://www.reson.com)



Ambient Recording GmbH  
Schleissheimer Straße 181 c  
D - 80797 Munich

Tel: + 49 89 360 55 10 - 0 • Fax: + 49 89 651 85 58

Email: [info@ambient.de](mailto:info@ambient.de)

[www.ambient.de](http://www.ambient.de)