

## ASSEMBLY INSTRUCTION FOR CABLE FITTING QX BOOMS

The coiled cable kit comes assembled ready to mount.

The set contains:

- The inner cable-strain relief made out of POM,
- The base, made out of POM, with two holes with threads,
- Two grub-screws M4 and a matching Allen key
- The outer shell, anodized aluminium
- The knurled ring nut for mounting onto the boom
- A rubber-bumper
- The coiled cable and XLR connectors.

Fitting the coiled cable:

- Remove the rubber foot at the bottom end.
- Remove the rubber sleeve from the top end of the cable .
- Thread the spiral cable through the thin segment till the cable is visible in the tip slot.
- Push out the cable end with a screwdriver and pull out the cable till the first half turn of the spiral is outside the tip.
- Insert the rubber sleeve into the tip slot.
- Push the cable through the sleeve till it is tight. Note: Cable must wrap round ½ turn. See picture.

- Plug wiring XLR3-W:

1 = shield / ground, and bridged to plug housing

2 = yellow and brown/audio+

3 = green and white / Audio –

- Plug wiring Stereo XLR5-W:

1 = shield / ground, and bridged to plug housing,

2 = brown /Audio left +

3 = green/ Audio left –

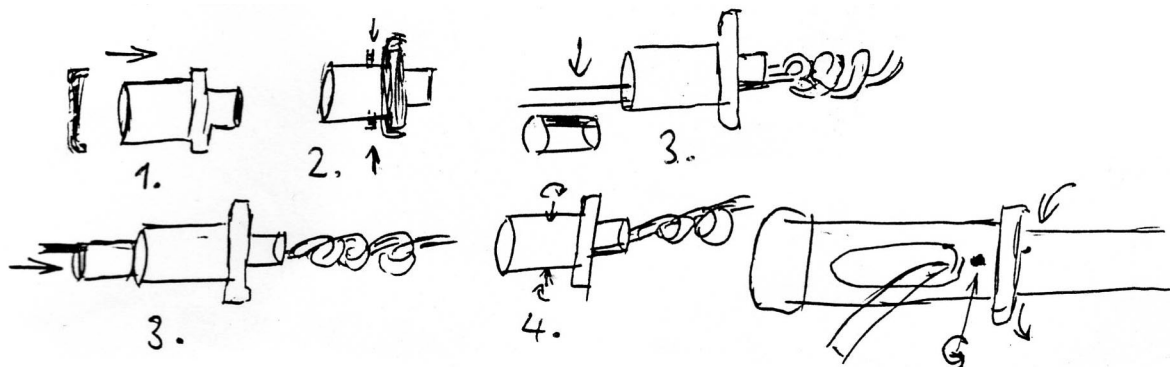
4 = yellow/ Audio right +

5 = white / Audio right –



Mounting a coiled cable to the QXEST endpiece:

- Slide the ring nut ring on to the POM-shell.
- Screw the grub-screws into the two holes so that the head doesn't protrude.
- Push the short straight end of the coiled cable through the shell.
- Press the cable into the slit of the POM strain relief. It is designed for our cable with diameter of 4,5 mm (~ 0,157"), if your cable is thinner, use heatshrink tube to make up for the diameter. The opposite broad groove is for square/parallel cables.
- Pull the strain relief back into the POM-shell and push it in to the end. The position of the grub-screws should be right next to the cable-grooves, but not hit the cable.
- Tighten the grub-screw 1 so that it is next to the cable and screw down the other grub-screw 2 so it does not stick out.
- Insert the assembly into the aluminium tube, so that the cable is on the back-side as seen from the cut-out, and the grub-screw 2 is right under the little hole in the aluminium tube.
- Turn the grub-screw 2 counter-clockwise so it pushes against the tube and fixes the POM-part.
- Put the rubber-bumper onto the aluminium tube.
- Insert the end of the POM shell into the bottom of the boom-pole and tighten the ring nut.



Mounting a straight cable:

- Slide the ring nut ring on to the POM-shell.
- Pull the cable through metal tube and POM-shell.
- Follow instructions as above, mounting the coiled cable.
- Screw the grub-screws into the two holes so that the head doesn't protrude.
- Insert the assembly into the aluminium tube, so that the grub-screw 2 is right under the little hole in the aluminium tube.
- Turn the grub-screw 2 counter-clockwise so it pushes against the tube and fixes the POM-part.
- Put the rubber-bumper onto the aluminium tube.
- Insert the end of the POM shell into the bottom of the boom-pole and tighten the ring nut.